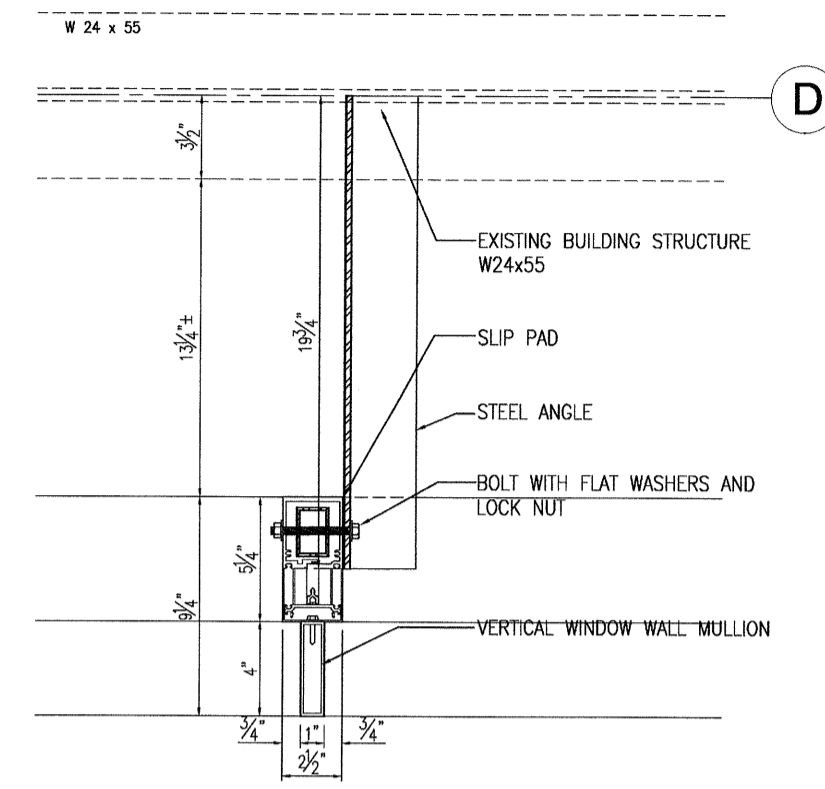
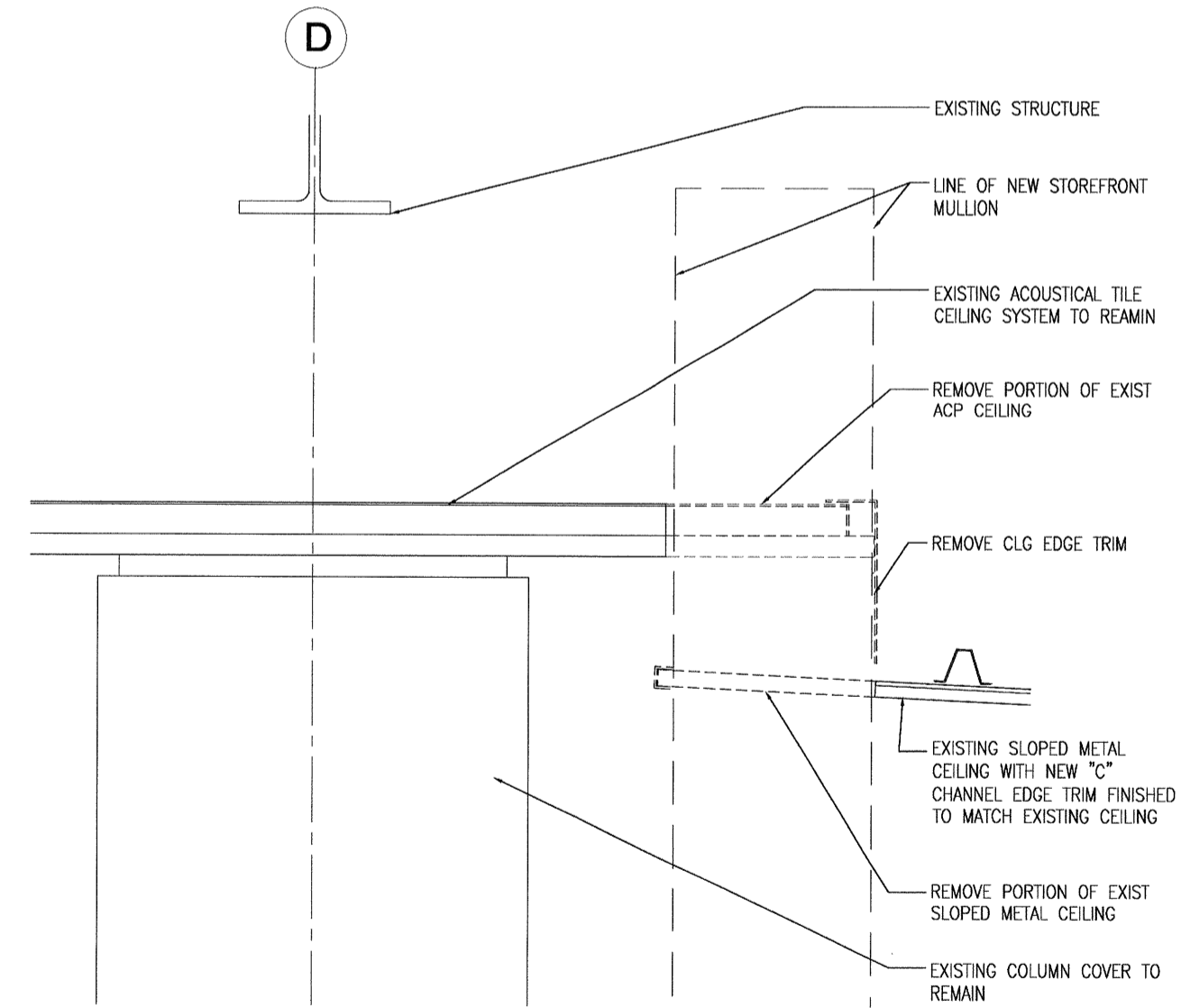


04 DETAIL @ NEW WALL - STORAGE ROOM
AR06.101|AR06.201 3" = 1'-0"

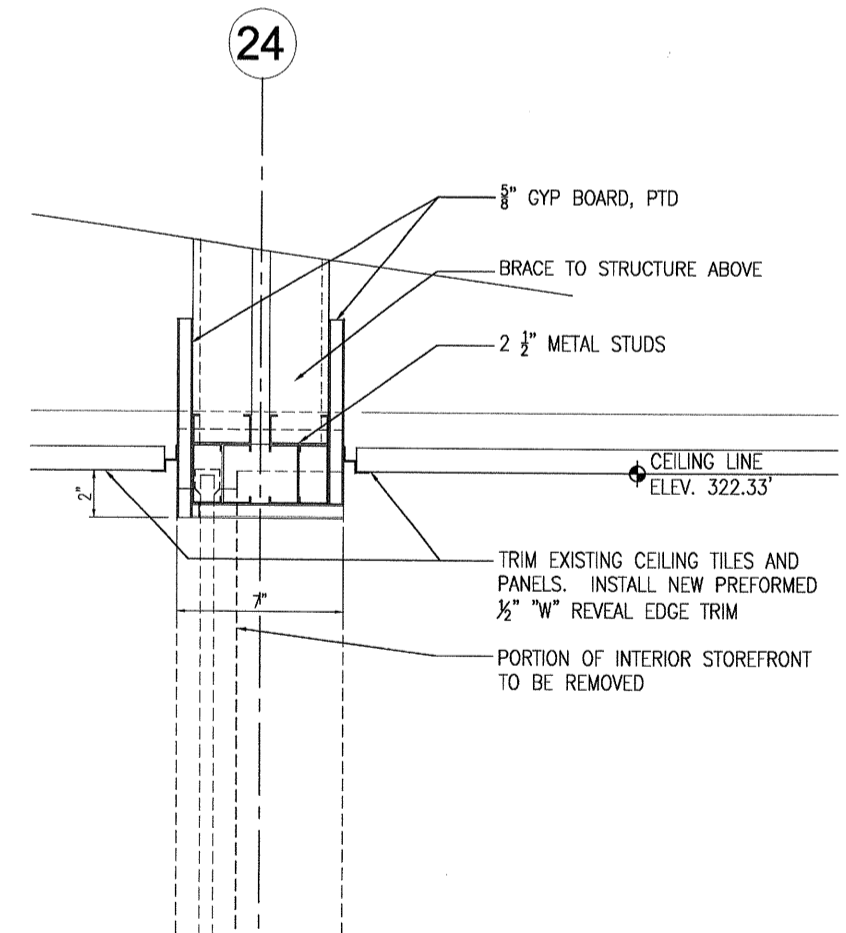


02 DETAIL @ HEAD ANCHOR
AR06.101|AR06.201 3" = 1'-0"

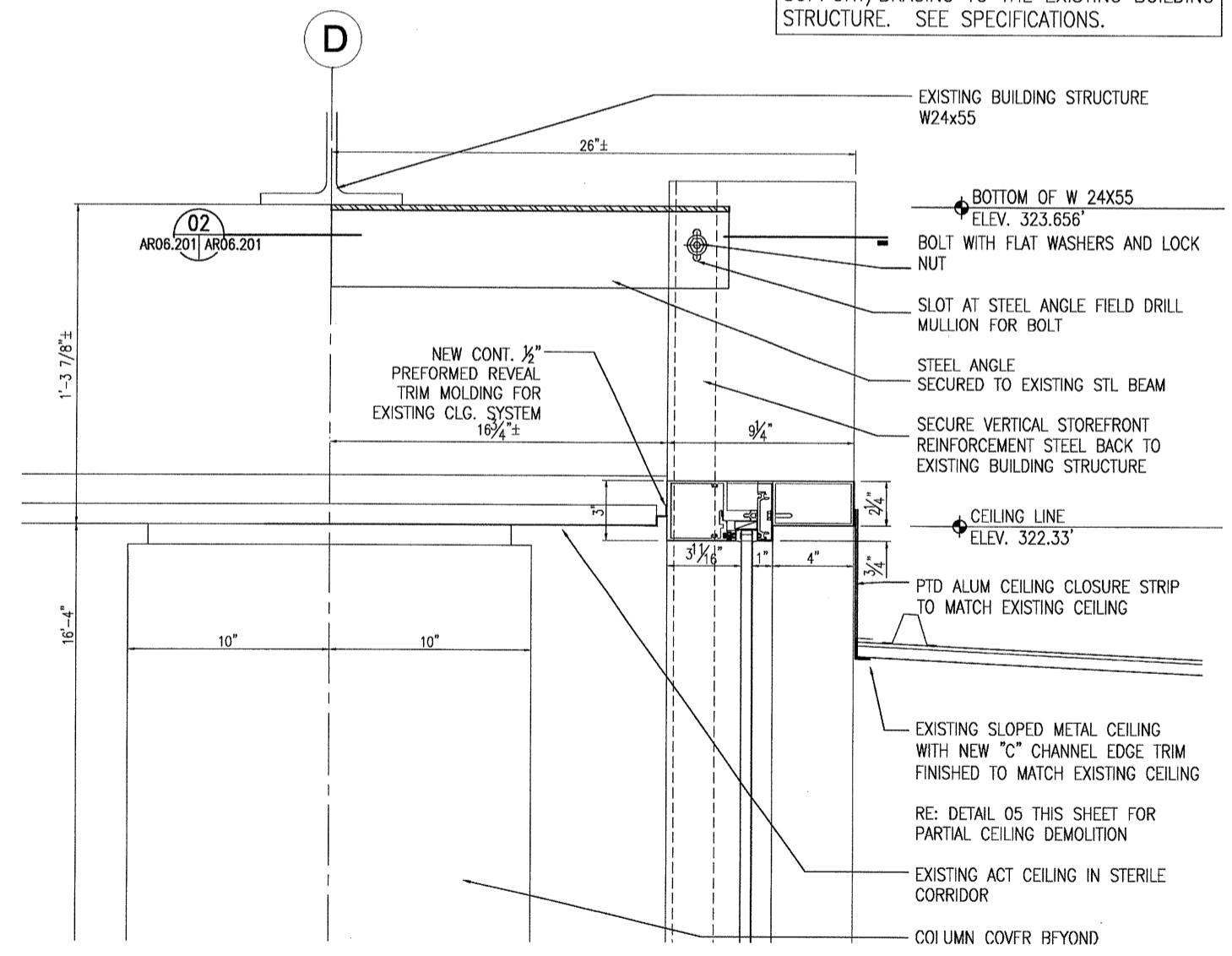
NOTE
ALL STEEL BRACING DETAILS, SIZES AND DIMENSIONS ARE SHOWN FOR INFORMATION ONLY. CONTRACTOR SHALL BE RESPONSIBLE FOR STRUCTURAL DESIGN AND CERTIFICATION OF STOREFRONT SYSTEM AND ASSOCIATED SUPPORT/BRACING TO THE EXISTING BUILDING STRUCTURE. SEE SPECIFICATIONS.



05 PARTIAL CEILING DEMO
AR06.101|AR06.201 3" = 1'-0"



03 DETAIL @ REMOVED STOREFRONT
AR06.101|AR06.201 3" = 1'-0"



01 DETAIL @ INT. ALUM STOREFRONT
AR06.101|AR06.201 3" = 1'-0"

		<p>201 N. UNION ST. SUITE 500 ALEXANDRIA, VIRGINIA 22314 (T) 703 836 0588 (F) 703 836 8027</p>	DATE August 31, 2011 SCALE AS NOTED DESIGNED KB CHECKED DMC DRAWN RAH ACCEPTED SUBMITTED DRH APPROVED FDH		<p>METROPOLITAN WASHINGTON AIRPORTS AUTHORITY</p>	METROPOLITAN WASHINGTON AIRPORTS AUTHORITY OFFICE OF ENGINEERING DESIGN DEPARTMENT	GATE A23/25 - A31 STERILE CORRIDOR RENOVATION WASHINGTON DULLES INTERNATIONAL AIRPORT WASHINGTON, DC		PROJECT IDENTIFIER IT1111
							CEILING DETAILS		SHEET NAME AR06.201
									VOLUME NUMBER 1 of 1
									SHEET NUMBER 11 of 35
NO.	REVISION	DATE							