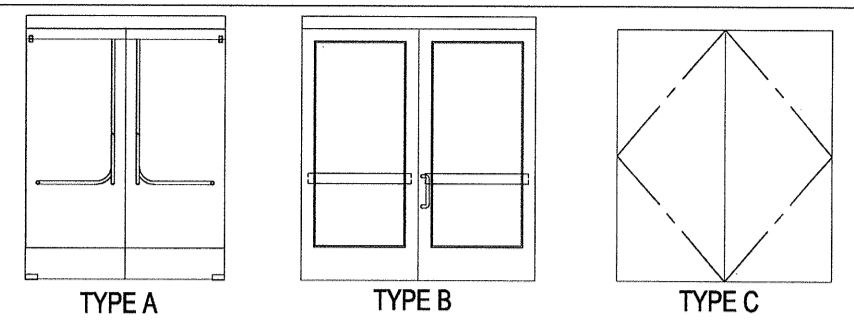


GLAZING TYPES

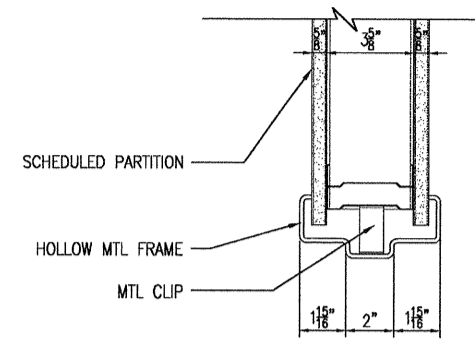
- GL-1 9/16" HEAT STRENGTHENED LAMINATED GLASS
- GL-2 1/2" TEMPERED INTERIOR GLASS
- GL-3 1/2" TEMPERED INTERIOR GLASS, EASE EXPOSED EDGES

DOOR TYPES

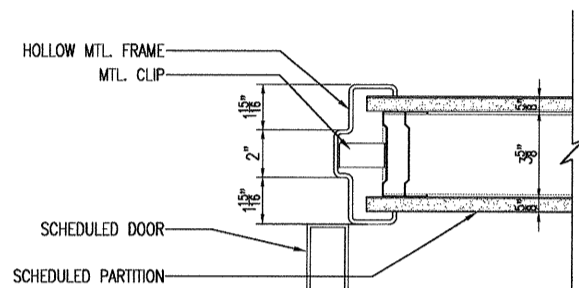


DOOR SCHEDULE

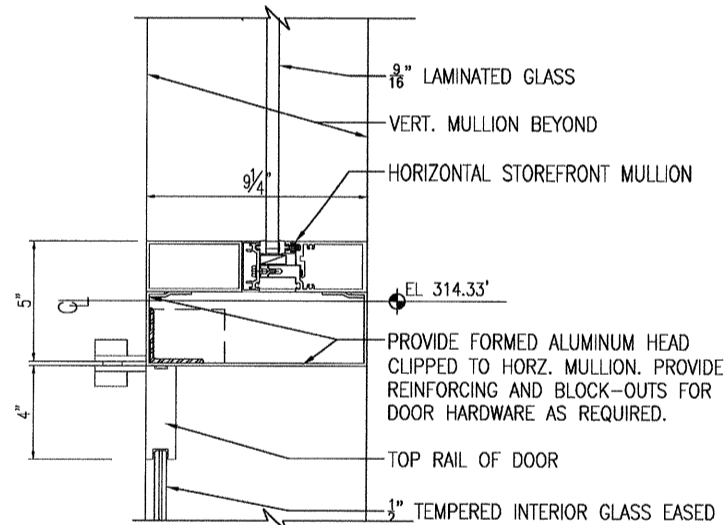
DOOR NUMBER	ROOM NAME	DOOR				FRAME				GLASS TYPE	HDLW (L/S)	REMARKS	
		TYPE	MATER.	WIDTH	HEIGHT	TYPE	MATER.	JAMB	HEAD				THRSH-HOLD
101	GATE A31 HOLDROOM	A	GL	(2) 3'-0 1/2" WF	8'-1 1/2"	A	AL	03/A10.001	08/A10.001	N/A	9/16" SAFETY	440	
102	GATE A31 STERILE CORR.	B	AL/GL	(2) 3'-9"	8'-1 1/2"	B	AL	04/A10.001	06/A10.001	N/A	1/2" TEMPER.	310	RELOCATE EXIST PR DOORS@A31 W/NEW FLOOR CLOSER
103	STORAGE ROOM	C	HM	(2) 3'-0"	7'-10"	C	HM	09/A10.001	10/A10.001	N/A	N/A	524	UNDERCUT DOORS 1/2" FOR VENTILLATION
104	STERILE CORRIDOR	A	GL	(2) 3'-3 1/2"	8'-1 1/2"	A	AL	03/A10.001	08/A10.001	04/A04.001 SIM	9/16" SAFETY	440	
105	GATE A23/25 HOLDROOM	A	GL	(2) 3'-3 1/2"	8'-1 1/2"	A	N/A	N/A	N/A	N/A	N/A	N/A	EXISTING TO REMAIN
106	GATE A23/25 STER. CORR.	B	AL/GL	(2) 3'-9"	8'-1 1/2"	B	AL	02/A10.001	06/A10.001	N/A	1/2" TEMPER.	310	



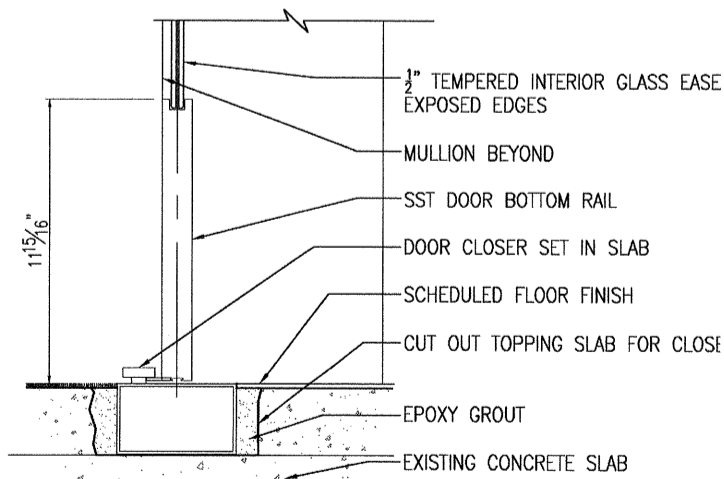
10 HEAD @ HOLLOW METAL DOOR
AR05.001AR10.001 3" = 1'-0"



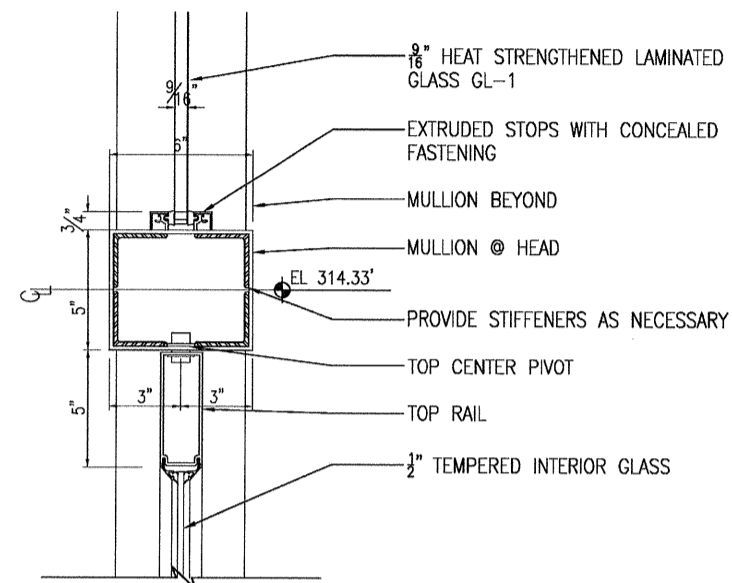
09 JAMB @ HOLLOW METAL DOOR
AR05.001AR10.001 3" = 1'-0"



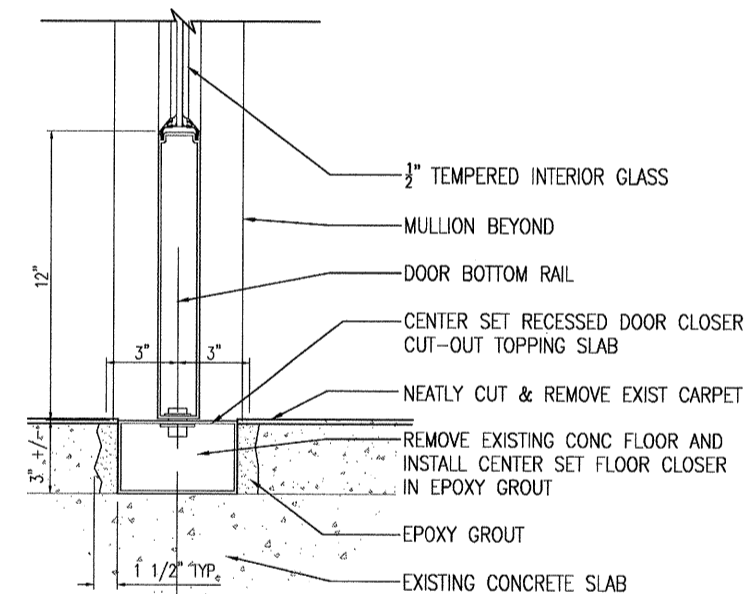
08 HEAD DETAIL
AR05.001AR10.001 3" = 1'-0"



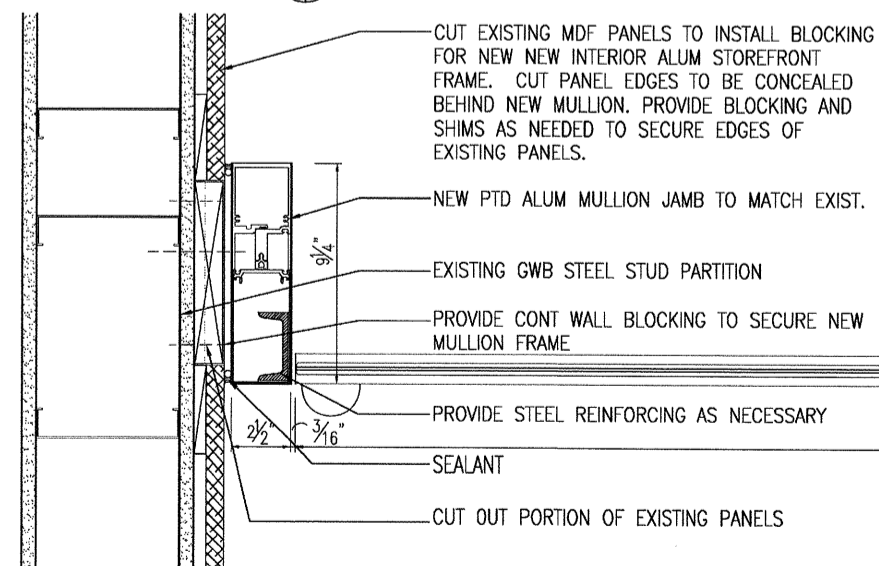
07 SILL DETAIL
AR05.001AR10.001 3" = 1'-0"



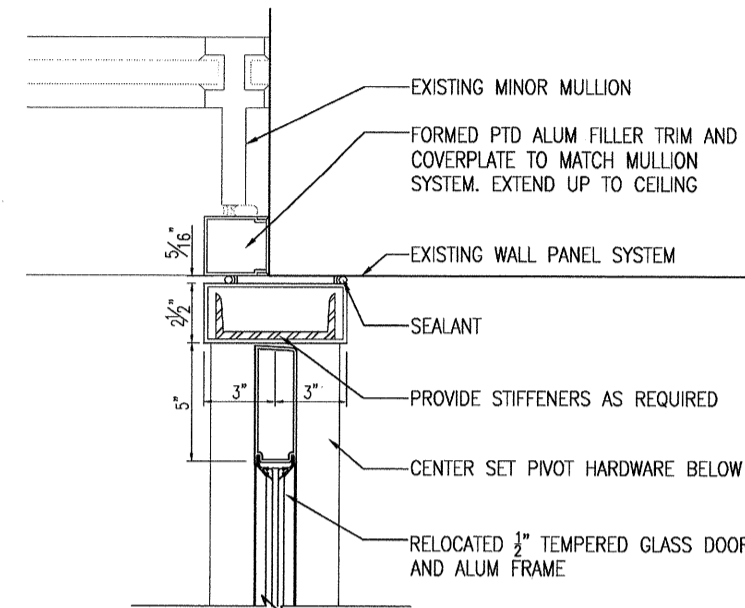
06 HEAD DETAIL
AR05.001AR10.001 3" = 1'-0"



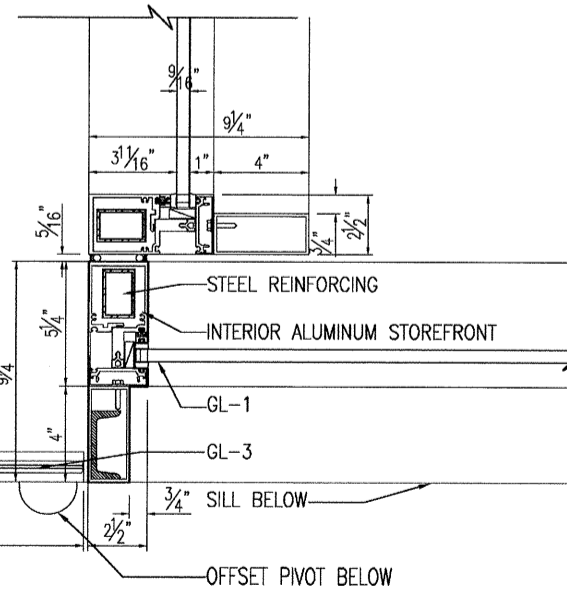
05 SILL DETAIL
AR05.001AR10.001 3" = 1'-0"



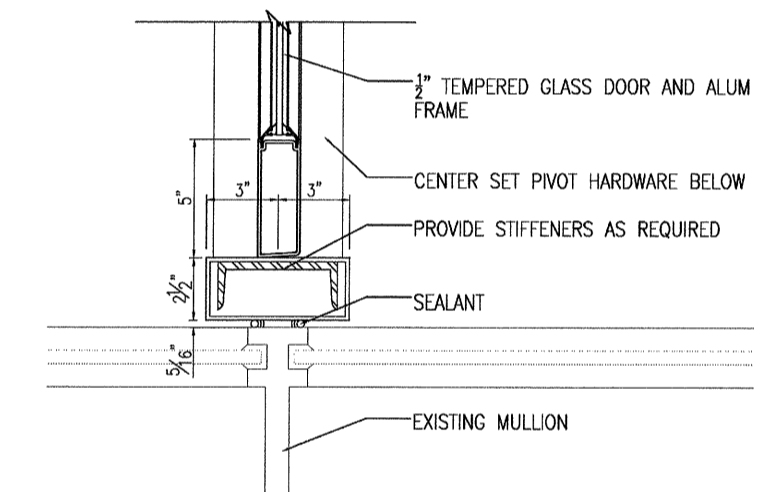
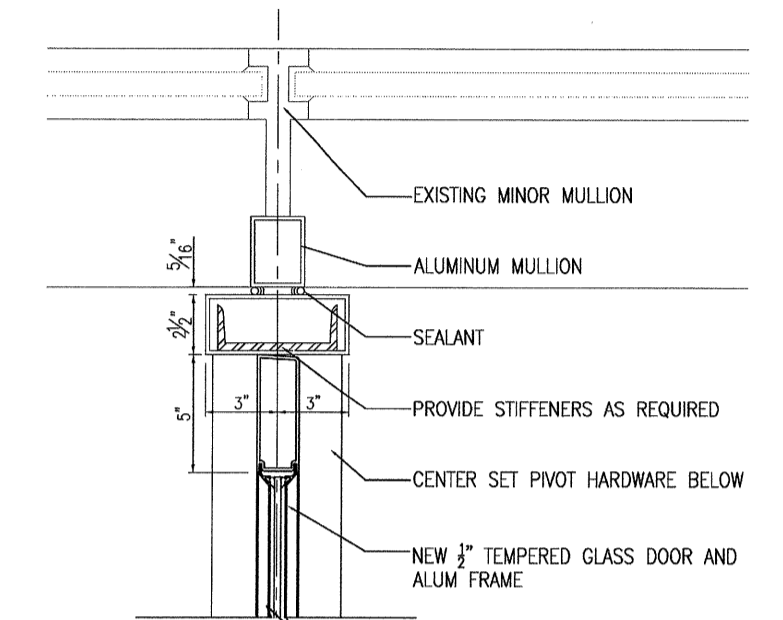
03 JAMB DETAIL
AR05.001AR10.001 3" = 1'-0"



04 JAMB DETAIL
AR05.001AR10.001 3" = 1'-0"



02 JAMB DETAIL
AR05.001AR10.001 3" = 1'-0"

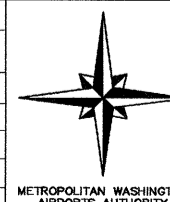


01 JAMB DETAIL
AR05.001AR10.001 3" = 1'-0"

NO.	REVISION	DATE

PGAL
201 N UNION ST.
SUITE 500
ALEXANDRIA,
VIRGINIA 22314
(T) 703 836 0588
(F) 703 836 8027

DATE August 31, 2011
SCALE AS NOTED
DESIGNED KB
CHECKED DMC DRAWN RAH
ACCEPTED DRH
SUBMITTED DRH
APPROVED FDH



METROPOLITAN WASHINGTON AIRPORTS AUTHORITY
OFFICE OF ENGINEERING
DESIGN DEPARTMENT

GATE A23/25 - A31
STERILE CORRIDOR RENOVATION
WASHINGTON DULLES INTERNATIONAL AIRPORT
WASHINGTON, DC
ENLARGED DOOR ELEVATIONS AND DETAILS

PROJECT IDENTIFIER IT1111
SHEET NAME AR10.001
VOLUME NUMBER 1 of 1
SHEET NUMBER 12 of 35