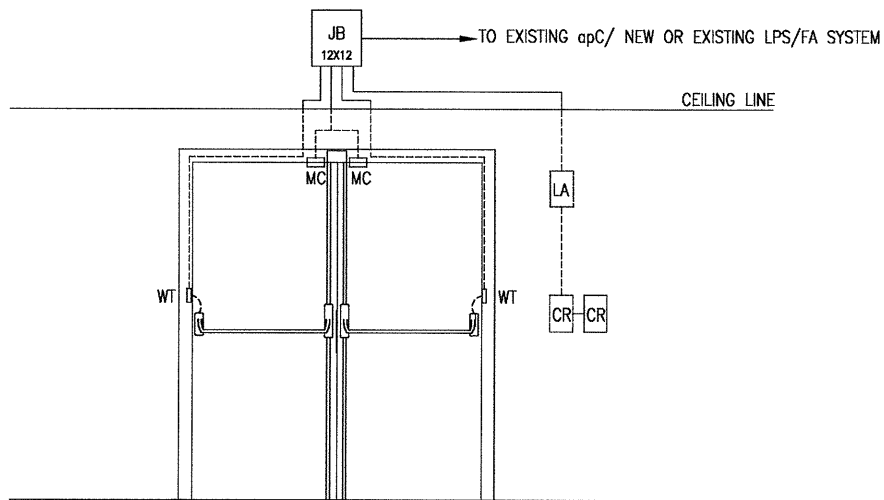
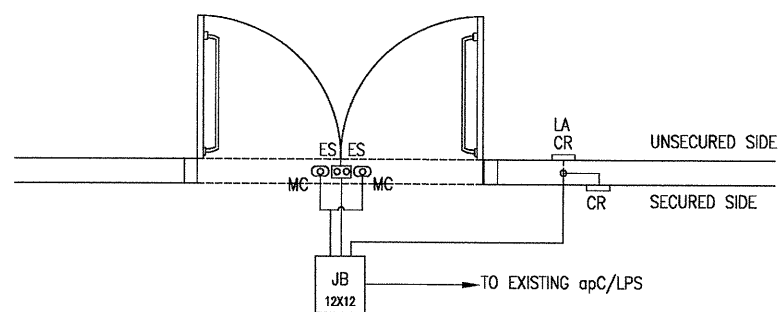


PLAN VIEW

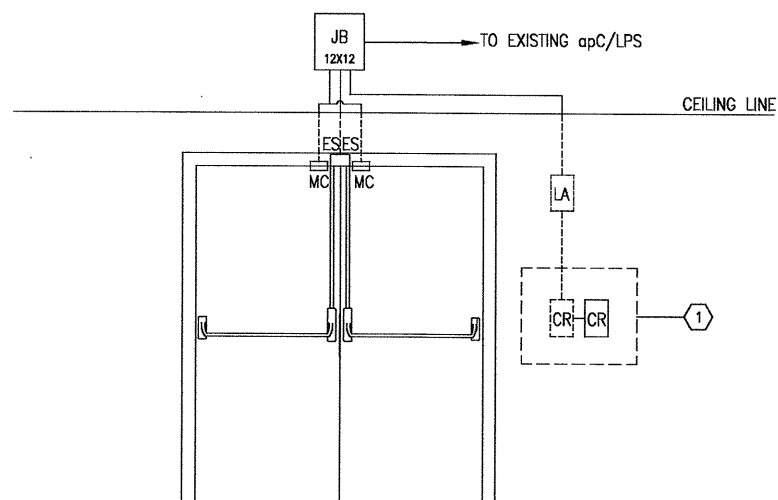


ELEVATION VIEW

1 OPERATIONAL DOOR TYPE 1 (O-1)
SS04.001 SS04.001 SCALE: NONE

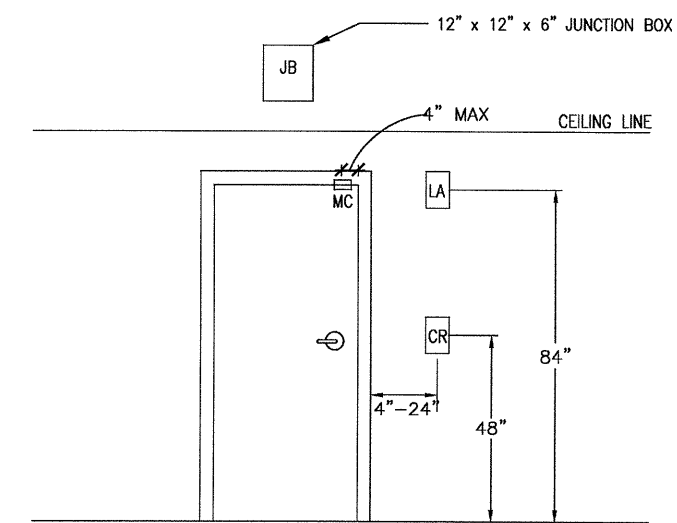


PLAN VIEW



ELEVATION VIEW

2 OPERATIONAL DOOR TYPE 2 (O-2)
SS04.001 SS04.001 SCALE: NONE



NOTE: CR, LA AND PI SHALL BE MOUNTED TO SINGLE-GANG BACK BOXES.

3 TYPICAL SECURITY DEVICES MOUNTING HEIGHTS
SS04.001 SS04.001 SCALE: NONE

GENERAL NOTES:

- DOOR SWINGS MAY NOT MATCH EXACT ORIENTATION OF EACH DOOR. REFER TO FLOOR PLANS FOR DIRECTION OF DOOR SWINGS.
- CONDUIT FROM DOORS TO APC PANELS SHALL BE MINIMUM 1".
- CONDUITS FROM JUNCTION BOXES ABOVE DOORS TO DOOR DEVICES SHALL BE 1/2" (MINIMUM) FLEX.

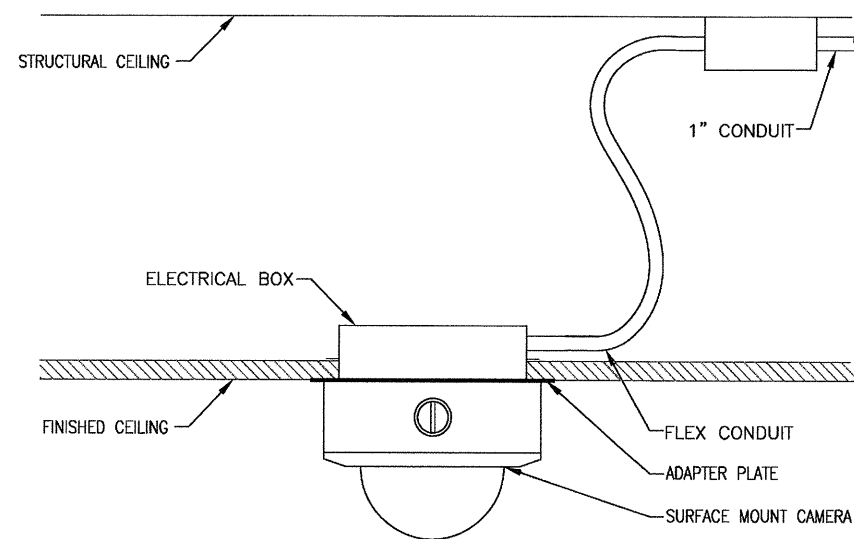
KEY NOTES:

- MOUNT CARD READERS ON THE ELECTRICAL BACK BOX SIMILAR TO THOSE AT THE EXISTING HOLDROOM STOREFRONT GLASS DOORS. THE EXISTING BOX SIZE FOR THE CARD READER ON THE HOLDROOM (UNSECURED) SIDE IS APPROXIMATELY (9.75"H X 6.25"W X 2.5"D).

ABBREVIATIONS:

- CR - CARD READER W/INTEGRATED KEYPAD
- EL - ELECTRIFIED VERTICAL ROD*
- ES - DUAL OVERHEAD ELECTRIC STRIKES*
- JB - JUNCTION BOX
- LA - LOCAL AUDIBLE/VISUAL ANNUNCIATOR
- LPS - LOCK POWER SUPPLY
- MC - MAGNETIC CONTACT SWITCH*
- WT - WIRE TRANSFER*

* INDICATED DEVICES ARE SPECIFIED UNDER DIVISION 06



4 INTERIOR CEILING-MOUNTED MEGAPIXEL NETWORK MINI DOME CAMERA
SS04.001 SS04.001 SCALE: NONE

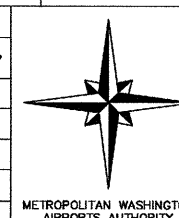
NO.	REVISION	DATE

PGAL
201 N UNION ST.
SUITE 500
ALEXANDRIA,
VIRGINIA 22314
TEL: (703) 836 0588
F: (703) 836 8027

WIRETECH CORPORATION
10621 GATEWAY BLVD.
SUITE 108
MANASSAS, VIRGINIA 20110
TEL: (703) 365-0021
FAX: (703) 361-9858

100%
Design
Submission

DATE	August 31, 2011
SCALE	1/8" = 1'-0"
DESIGNED	AKP
CHECKED	MTW
ACCEPTED	AKP
SUBMITTED	BDL
APPROVED	DRH
	FDH



METROPOLITAN WASHINGTON AIRPORTS AUTHORITY

OFFICE OF ENGINEERING
DESIGN DEPARTMENT

GATE A23/25 - A31
STERILE CORRIDOR RENOVATION
WASHINGTON DULLES INTERNATIONAL AIRPORT
WASHINGTON, DC

**SECURITY SYSTEMS
DETAILS**

PROJECT IDENTIFIER
IT1111
SHEET NAME
SS04.001
VOLUME NUMBER
1 of 1
SHEET NUMBER
28 of 35