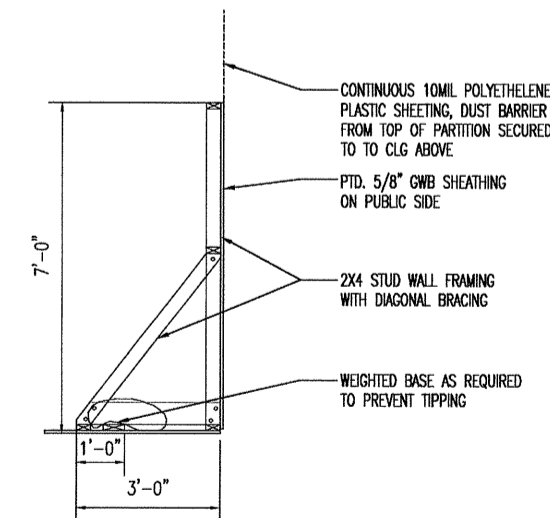
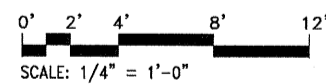


**01 TEMPORARY PARTITION PHASING PLAN**  
 ARO3.001|ARO3.001 1/4" = 1'-0"



**02 TEMPORARY PARTITION DETAIL**  
 ARO3.001|ARO3.001 NTS

NOTE: CONTRACTOR IS RESPONSIBLE FOR PROTECTING ALL EXISTING CEILING, WALL, FLOOR, FINISHES ETC. TO REMAIN, AND SHALL REPAIR/RESTORE ANY DAMAGED ELEMENTS TO THEIR ORIGINAL CONDITION.

**PHASING NOTES**

- |   |  |
|---|--|
| <p>1 INSTALL NEW ELECTRICAL AND TEL COM AT FINAL BOARDING PODIUM LOCATIONS</p> <p>2 CLOSE GATE 31 AND RELOCATE EXISTING GATE BOARDING PODIUM</p> <p>3 CONSTRUCT TEMPORARY SELF SUPPORTING 2X4 PARTITIONS 6'-0" MIN. A.F.F. WITH PTD. GWB SHEATHING ON PUBLIC SIDE. PROVIDE CONTINUOUS POLYETHYLENE SHEET DUST BARRIER ABOVE SOLID PARTITION TO UNDERSIDE OF FINISHED CEILING. INSTALL 6'-8" H X 6'-0" WIDE TEMPORARY WOOD ACCESS DOORS IN METAL FRAME W/ MORTISED LOCKSET ( NIGHT WORK )</p> <p>4 REMOVE EXISTING RAILING, TERRAZZO FLOOR, DOORS AND STOREFRONT. SEE FLOOR PLAN DEMOLITION NOTES.</p> | <p>5 INSTALL NEW TERRAZZO FLOORING, CARPET TILE, STOREFRONT, DOORS, HARDWARE, AND ASSOCIATED UTILITY WORK. ( NOTE: TERRAZZO FLOORING SHALL BE COMPLETED PRIOR TO STORE FRONT INSTALLATION)</p> <p>6 INSTALL NEW PARTITION AND HM DOOR</p> <p>7 INSTALL PORTION OF SALVAGED GUARDRAIL</p> |
|---|--|

NO.	REVISION	DATE

**PGAL**  
 201 N. UNION ST.  
 SUITE 500  
 ALEXANDRIA,  
 VIRGINIA 22314  
 (T) 703 836 0588  
 (F) 703 836 8027

DATE August 31, 2011  
 SCALE 1/4" = 1'-0"  
 DESIGNED KB  
 CHECKED DMC DRAWN RAH  
 ACCEPTED B.J.L.  
 SUBMITTED DRH  
 APPROVED FDH



**METROPOLITAN WASHINGTON AIRPORTS AUTHORITY**

OFFICE OF ENGINEERING DESIGN DEPARTMENT

GATE A23/25 - A31  
 STERILE CORRIDOR RENOVATION  
 WASHINGTON DULLES INTERNATIONAL AIRPORT  
 WASHINGTON, DC

**PHASING PLAN  
 TEMPORARY PARTITION DRAWING**

PROJECT IDENTIFIER  
**IT1111**  
 SHEET NAME  
**GN03.001**  
 VOLUME NUMBER  
 1 of 1  
 SHEET NUMBER  
 5 of 35