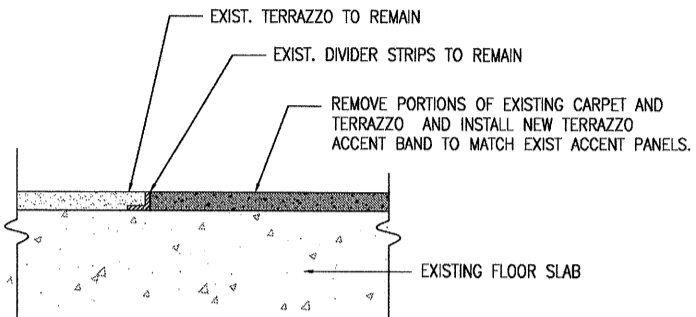
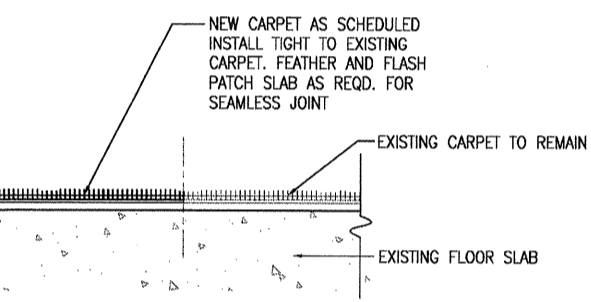


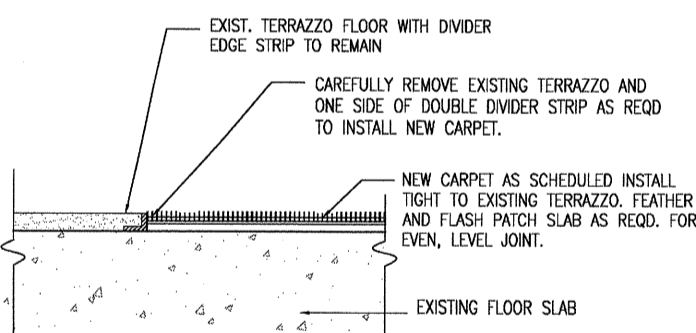
11 TYP. TRANSITION DETAIL - NEW TER TO NEW TER
AR04.001|AR04.001 6" = 1'-0"



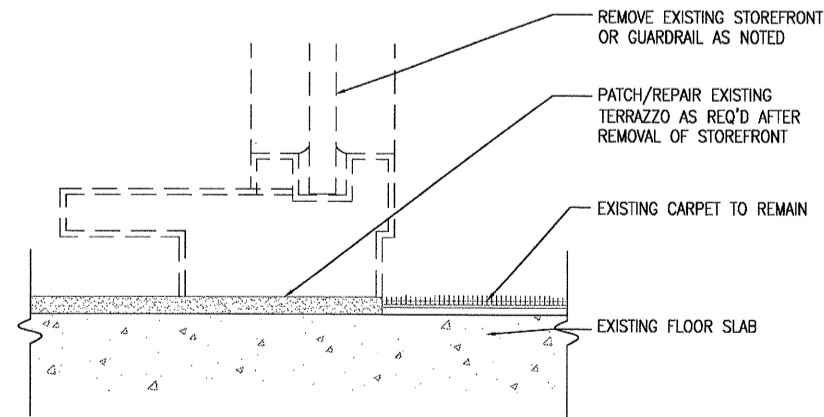
10 TRANSITION DETAIL - NEW TER TO EXIST TER
AR04.001|AR04.001 6" = 1'-0"



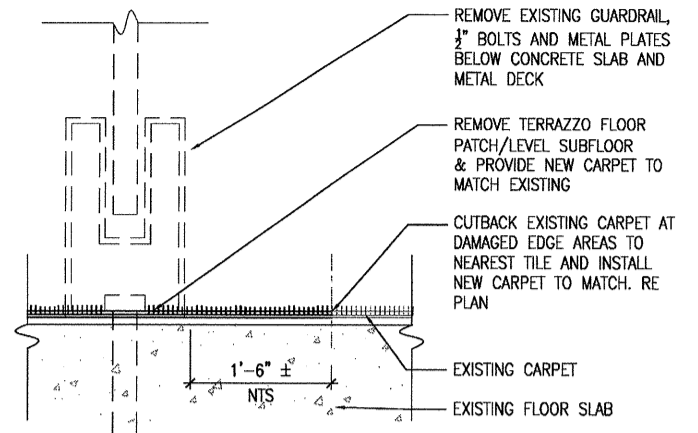
09 TRANSITION DETAIL - NEW CPT TO EXIST CPT
AR04.001|AR04.001 6" = 1'-0"



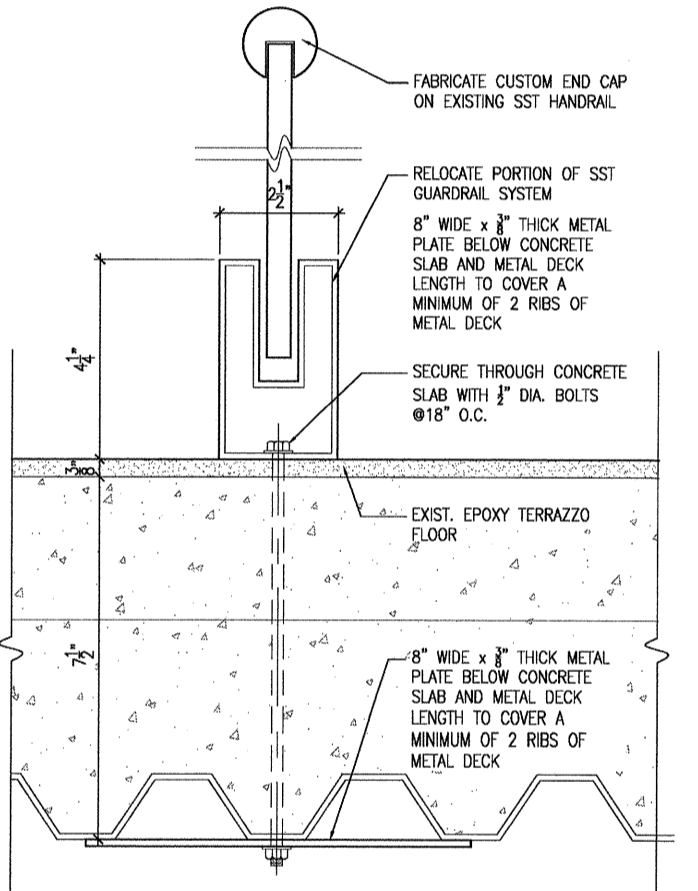
08 TRANSITION DETAIL - NEW CPT TO EXIST TER
AR04.001|AR04.001 6" = 1'-0"



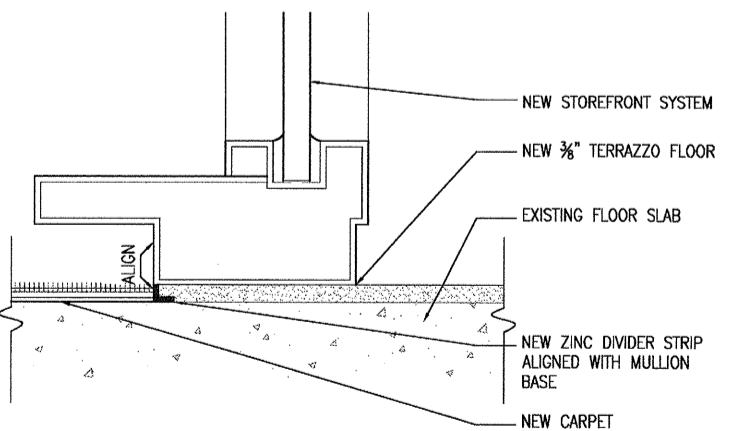
07 TRANSITION DETAIL @ STOREFRONT DEMO
AR04.001|AR04.001 6" = 1'-0"



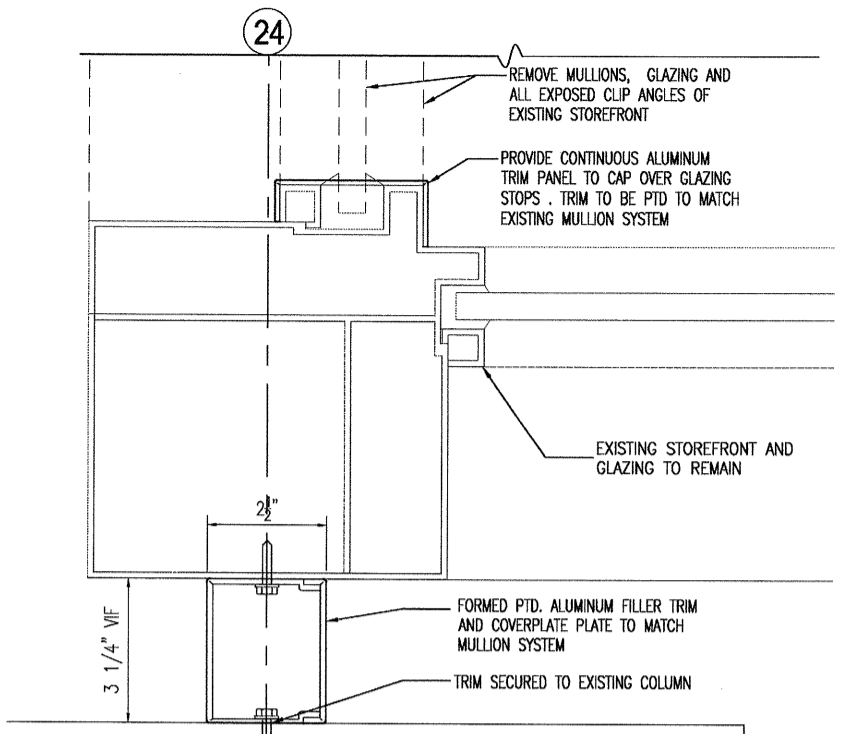
06 TRANSITION DETAIL @ HANDRAIL DEMO
AR04.001|AR04.001 6" = 1'-0"



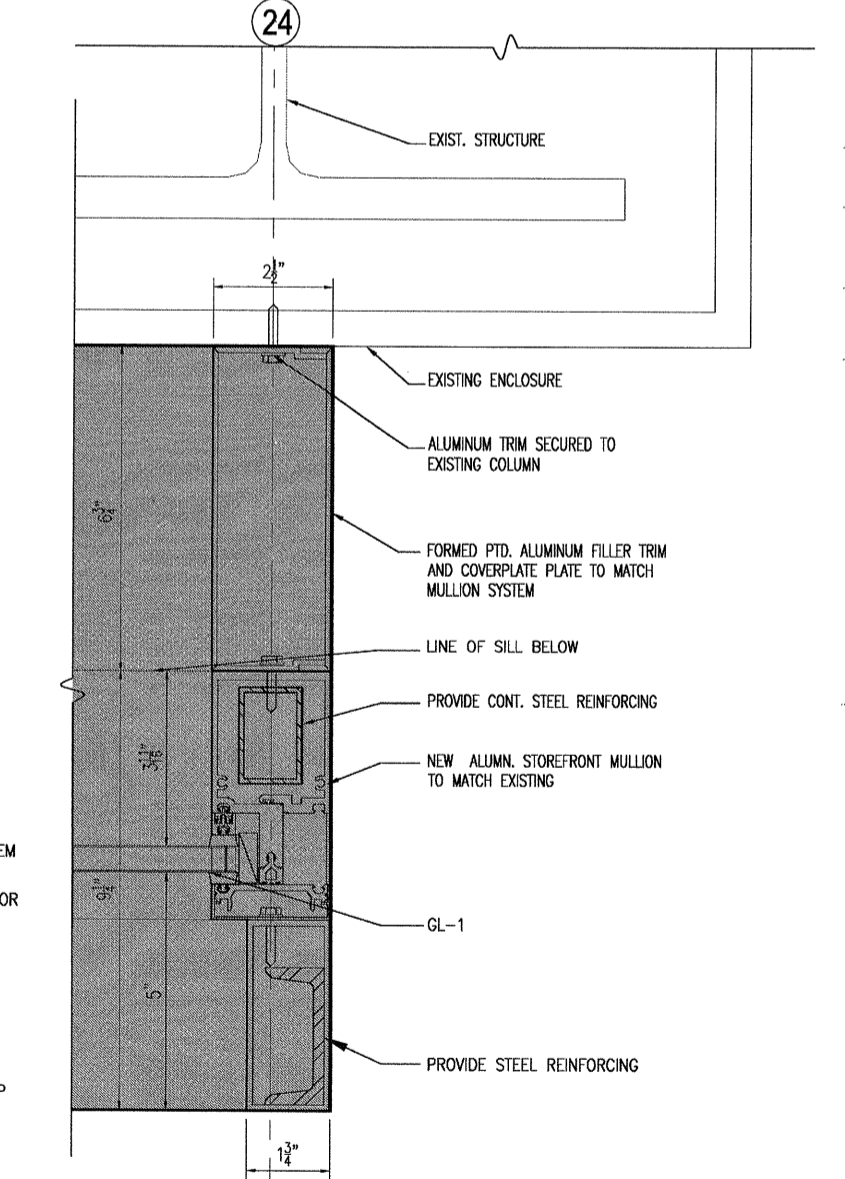
05 DETAIL @ GUARDRAIL
AR04.001|AR04.001 6" = 1'-0"



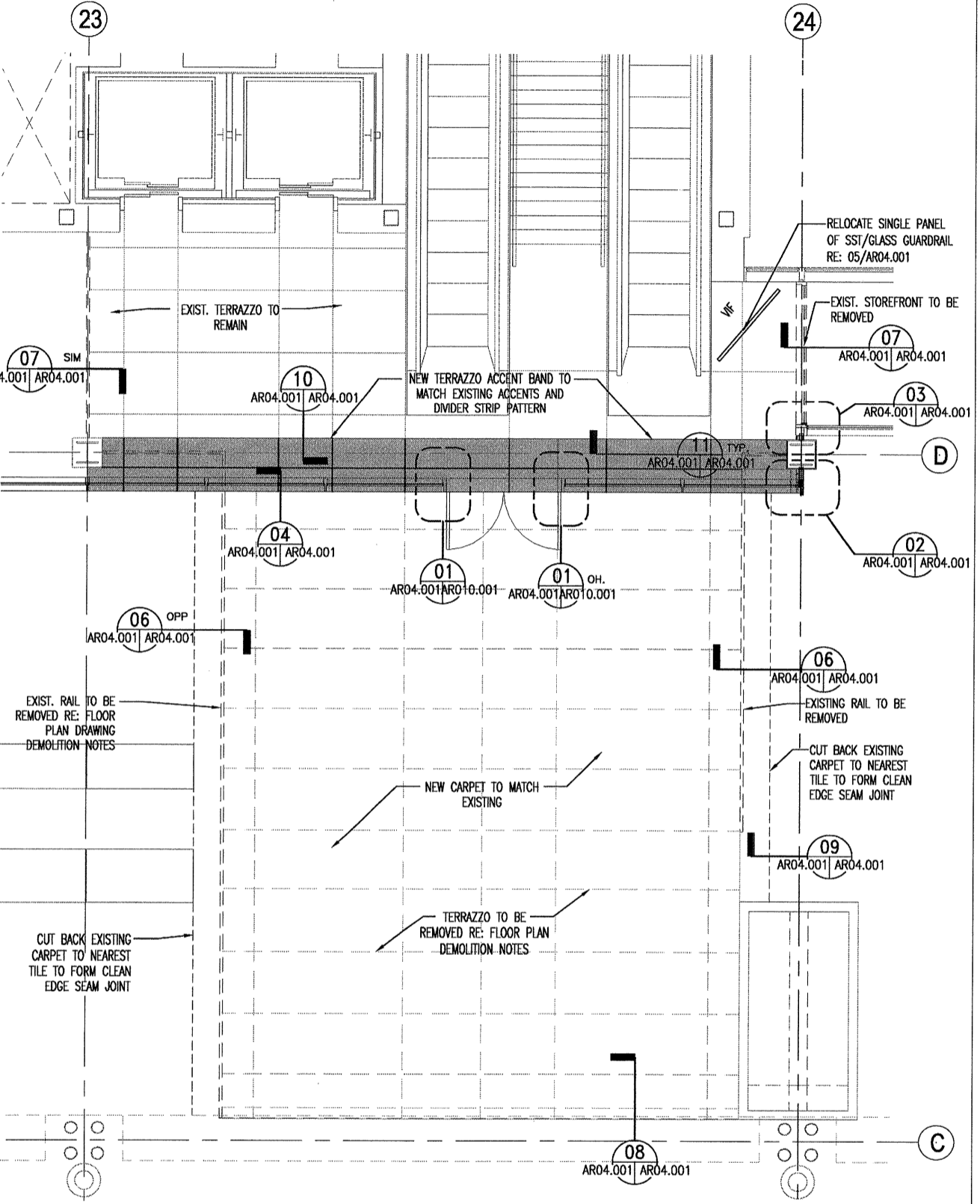
04 DETAIL @ GUARDRAIL
AR04.001|AR04.001 6" = 1'-0"



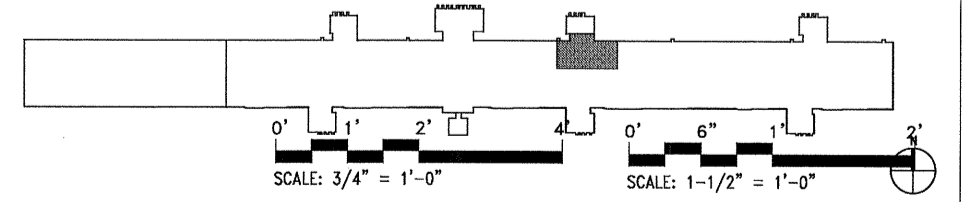
03 DETAIL @ STOREFRONT END TRIM
AR03.101|AR04.001 6" = 1'-0"



02 DETAIL @ STOREFRONT END TRIM
AR03.101|AR04.001 6" = 1'-0"



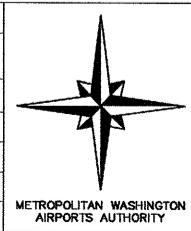
01 ENLARGED FLOOR FINISH PLAN
AR03.101|AR04.001 1/4" = 1'-0"



NO.	REVISION	DATE

PGAL
201 N. UNION ST.
SUITE 500
ALEXANDRIA,
VIRGINIA 22314
(T) 703 836 0588
(F) 703 836 8027

DATE August 31, 2011
SCALE AS NOTED
DESIGNED KB
CHECKED DMC DRAWN RAH
ACCEPTED BUL
SUBMITTED DRH
APPROVED FDH
METROPOLITAN WASHINGTON AIRPORTS AUTHORITY



METROPOLITAN WASHINGTON AIRPORTS AUTHORITY
OFFICE OF ENGINEERING DESIGN DEPARTMENT

GATE A23/25 - A31
STERILE CORRIDOR RENOVATION
WASHINGTON DULLES INTERNATIONAL AIRPORT
WASHINGTON, DC
FLOOR FINISH PLAN AND DETAILS

PROJECT IDENTIFIER
IT1111
SHEET NAME
AR04.001
VOLUME NUMBER
1 of 1
SHEET NUMBER
8 of 35