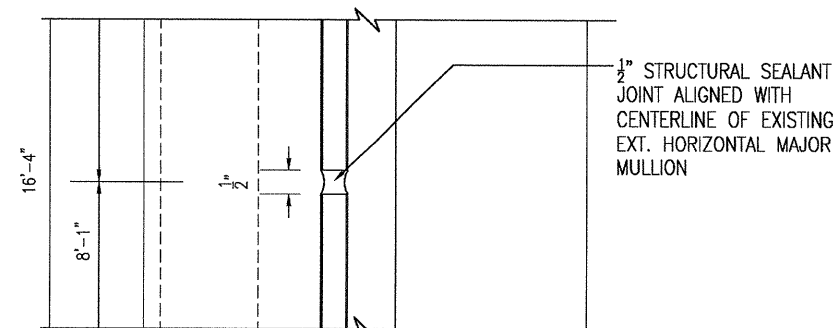
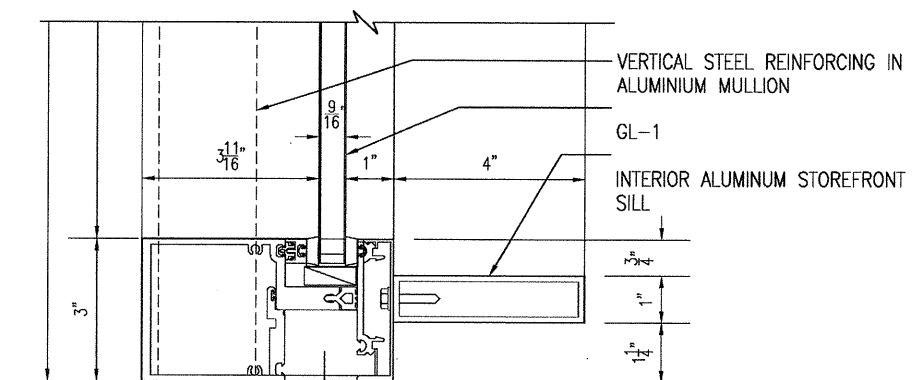


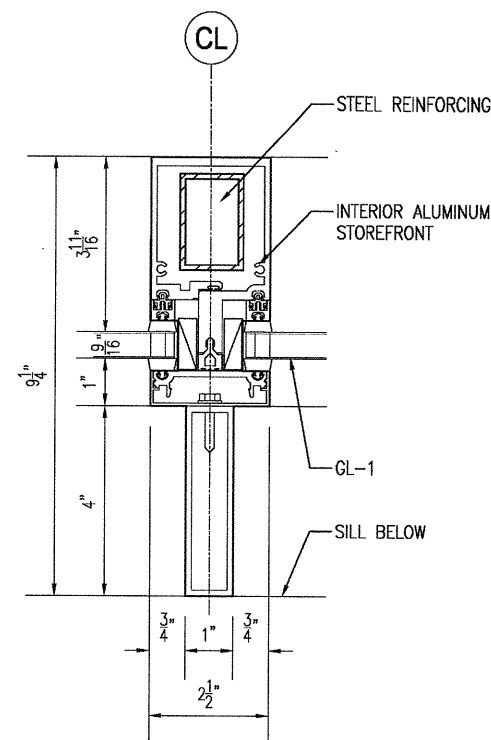
08 STOREFRONT SECTION @ HEAD
AR06.101|AR05.001 6'-1'-0"



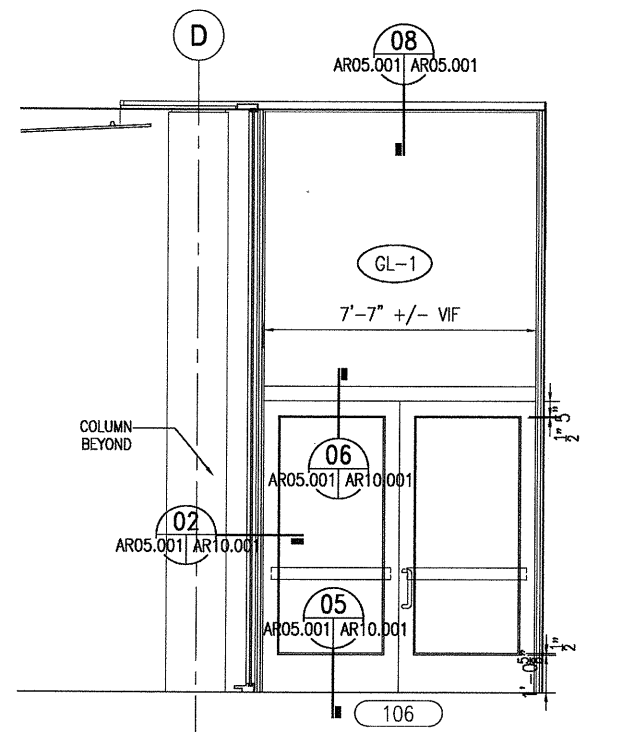
07 STOREFRONT SECTION @ INTERIOR JOINT
AR05.001|AR05.001 6'-1'-0"



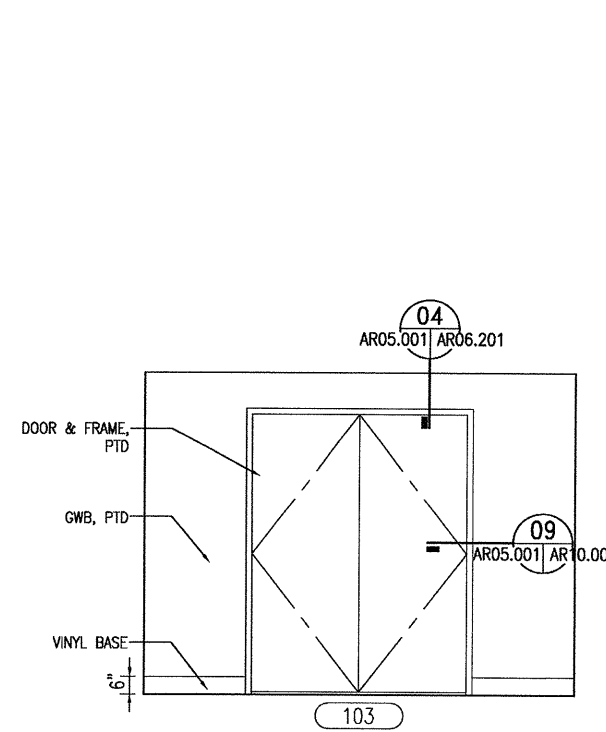
06 STOREFRONT SECTION @ SILL
AR05.001|AR05.001 6'-1'-0"



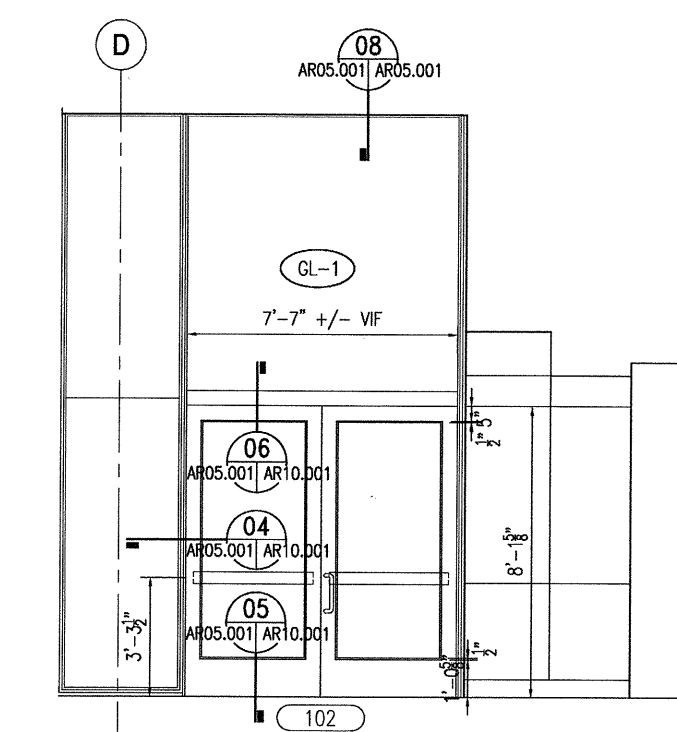
05 MULLION DETAIL
AR05.001|AR05.001 6'-1'-0"



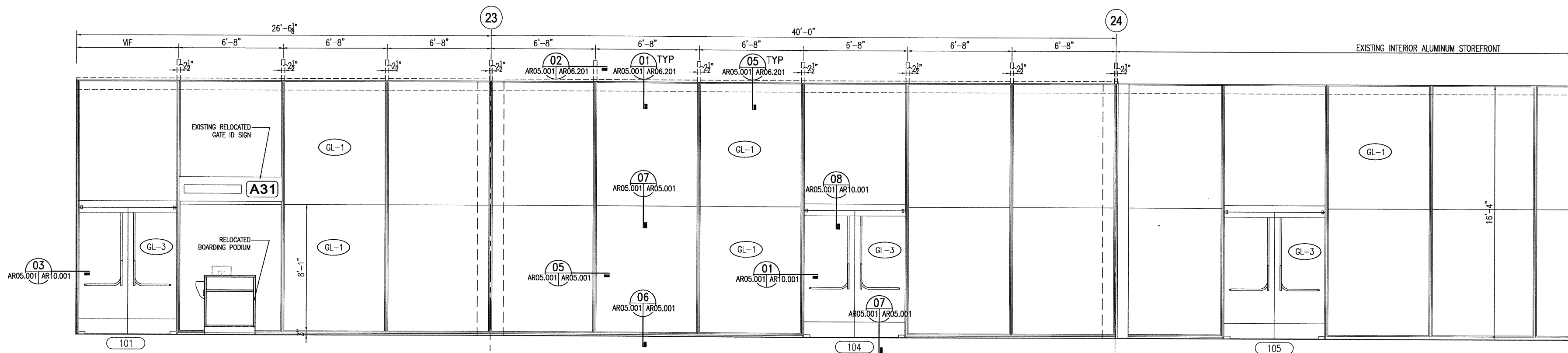
04 ELEV @ NEW ALUM/GLASS DOORS
AR03.101|AR05.001 3/16" = 1'-0"



03 ELEV @ STORAGE DOORS
AR03.101|AR05.001 3/16" = 1'-0"



02 ELEV @ RELOCATED ALUM/GLASS DOORS
AR03.101|AR05.001 3/16" = 1'-0"

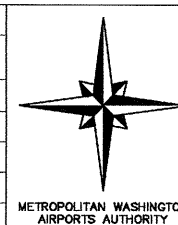


01 ELEVATION @ STERILE CORRIDOR STOREFRONT
AR03.101|AR05.001 3/16" = 1'-0"

NO.	REVISION	DATE

PGAL
201 N. UNION ST.
SUITE 500
ALEXANDRIA,
VIRGINIA 22314
(703) 836 0588
(703) 836 8027

DATE	August 31, 2011
SCALE	AS NOTED
DESIGNED	KB
CHECKED	DMC
ACCEPTED	RAH
SUBMITTED	BJL
APPROVED	DRH
	FDH



METROPOLITAN WASHINGTON AIRPORTS AUTHORITY

OFFICE OF ENGINEERING
DESIGN DEPARTMENT

GATE A23/25 - A31
STERILE CORRIDOR RENOVATION
WASHINGTON DULLES INTERNATIONAL AIRPORT
WASHINGTON, DC

**INTERIOR ELEVATIONS
AND STOREFRONT DETAILS**

PROJECT IDENTIFIER	IT1111
SHEET NAME	AR05.001
VOLUME NUMBER	1 of 1
SHEET NUMBER	9 of 35